

## **EW200P SERIES**

MAX POWER  
**upto 200 bar**

FLOW RATE  
**16.5 litres/min**

MOTOR POWER  
**5.5 kW**



**EW200P**

## **HIGH PRESSURE WATER JET EQUIPMENT**

*Teryair Electric High pressure water jets are designed for general cleaning tasks in multiple industries. These high pressure water jets are used for daily cleaning of machinery, vehicles, and buildings, for the removal of stubborn dirt, stains and other debris from multiple surfaces. All pump materials, fittings and pipes in contact with water are non corrosive.*

### **Variants**

EW200 P – 220V 3ph  
EW200 P – 440V 3ph



### **Approvals and Certifications**

All Teryair Electric Needle Guns are CE marked and manufactured under an ISO 9001:2015 Quality system – SGS.



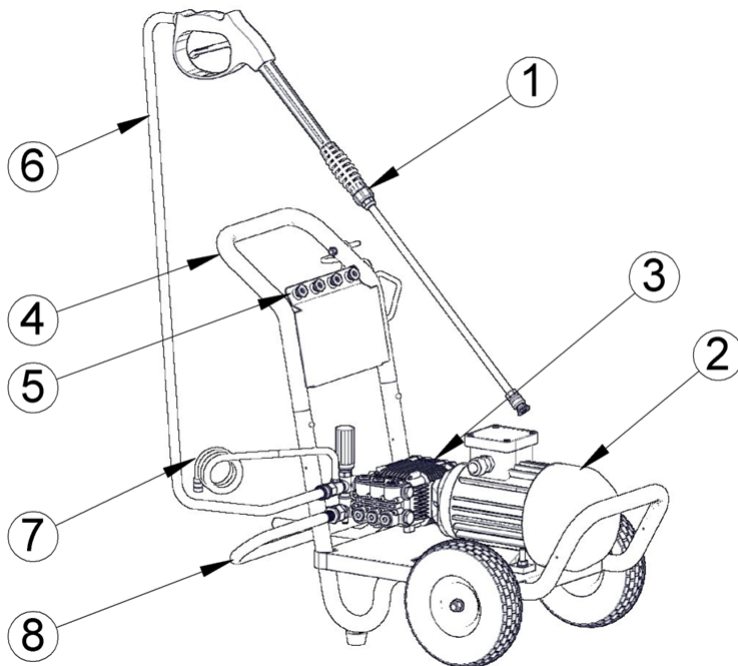
### **Added Features**

Auto Bypass  
Quick change tips  
Adjustable output pressure  
Ceramic Coated Pistons  
Easy maintenance

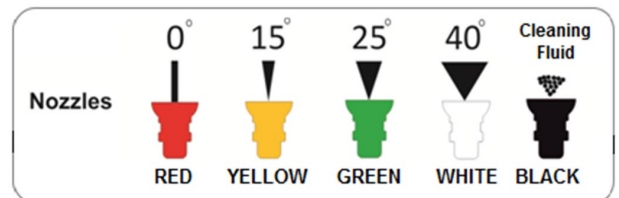
## Technical Data EW200 Series

<b>Teryair Model No</b>	EW200P - 220V	EW200P - 440V
<b>IMPA Code</b>	59 08 55	59 08 56
<b>Power Supply</b>	Three Phase, 220V, 60 Hz	Three Phase, 440V, 60 Hz
<b>Powe Consumption</b>	7.5 HP (5.5 KW)	7.5 HP (5.5 KW)
<b>Working Pressure</b>	200 Bar	200 Bar
<b>Flow Capacity</b>	16.5 ltr/min	16.5 ltr/min
<b>Pump Number</b>	Pe250	Pe250
<b>Overall Dimensions</b>	107 x 61 x 84 cm	107 x 61 x 84 cm
<b>Weight</b>	74 Kgs	74 Kgs

## Main Components



## Spray Tip Details



## Technical Data EW200P Series

Illustration Number	EW200-220V	EW200-440V
	59 08 55	59 08 56
1	500mm lance	500mm lance
2	5.5kW-220V-3ph	5.5kW-440V-3ph
3	Pe250	Pe250
4	F3	F3
5	Standard Nozzle Set	Standard Nozzle Set
6	8mmID x 10 Mtr Steel Braided hose	8mmID x 10 Mtr Steel Braided hose
7	6.5mmID X 1.5mtr	6.5mmID X 1.5mtr
8	15mmID X 3mtr	15mmID X 3mtr
9	Cover	Cover
10	MCB - ON/OFF Switch	MCB - ON/OFF Switch

## Packing Details

Sr. No	Teryair Part Number	Gross Weight Kgs	Box Dimension		
			Lenght cm	Width cm	Height cm
1	EW-1103-110V	60	77	61	59
2	EW-1103-220V	60	77	61	59
3	EW-1106-220V	63	77	61	59
4	EW-1106-440V	63	77	61	59
5	EW-1706-220V	67	77	61	59
6	EW-1706-440V	67	77	61	59
7	EW-200-220V	85	87	61	61
8	EW 200- 440V	85	87	61	61